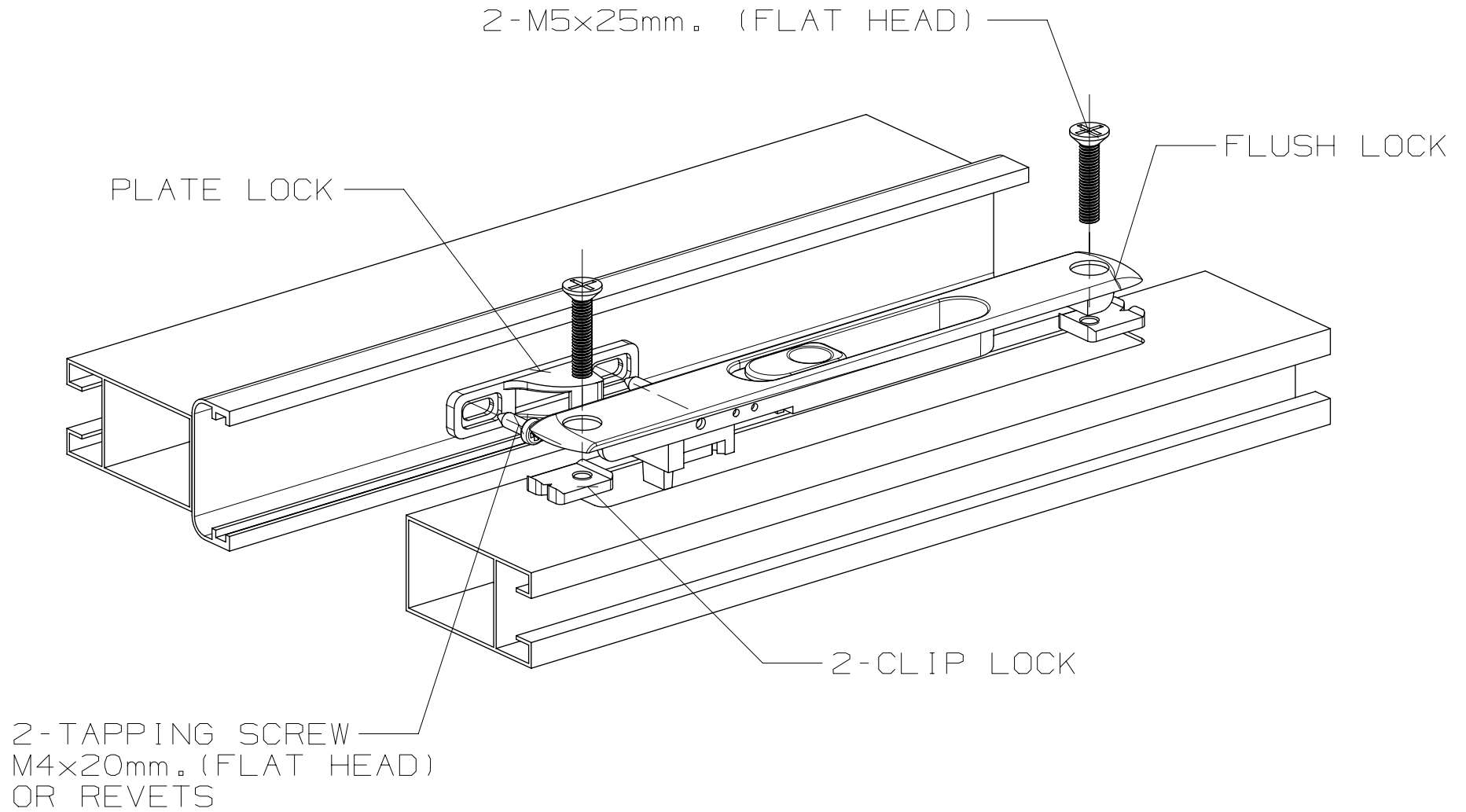


INSTALLATION MANAUL



WSAB/CAP WSAW/CAP