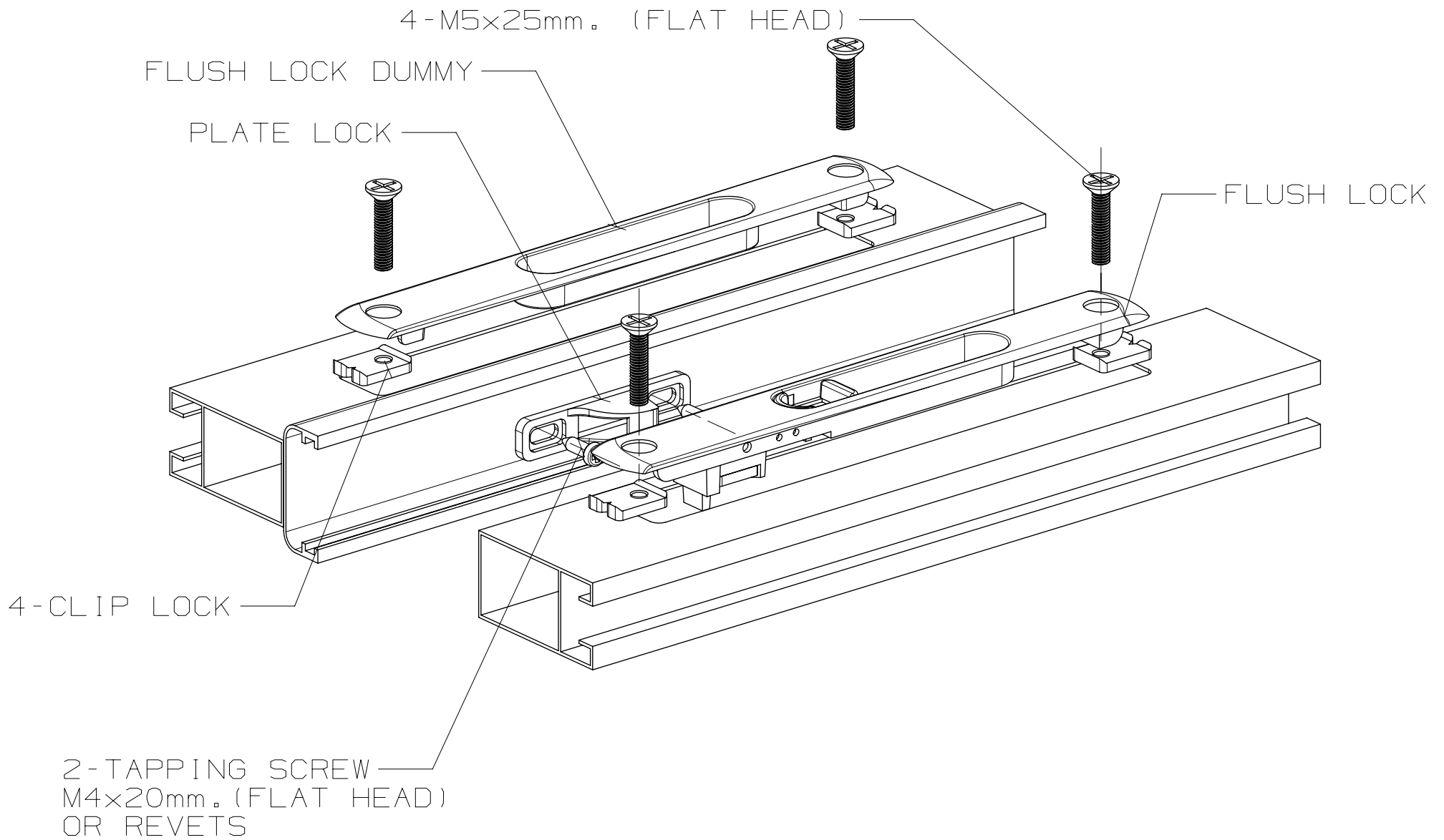


INSTALLATION MANAUL



WDMB/CAP WDMW/CAP